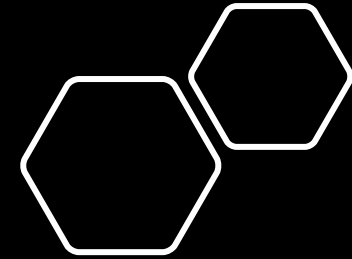


Bioethanol fireplace DS



AUTOMATIC

The automatic burner operates with 100% natural bioethanol and does not produce smoke or carbon monoxide. The burner has an automatic filling and spraying system.



REMOTE CONTROL AND BEST QUALITY

The burner has 8 safety technologies and can be controlled via remote, phone, or a 'Smart Home' system.



Custom Measure



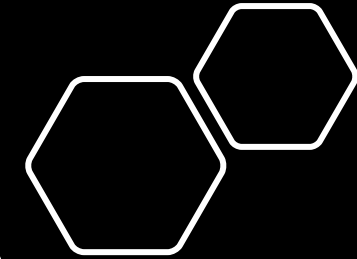
5+ Flame Setting



No Chimney

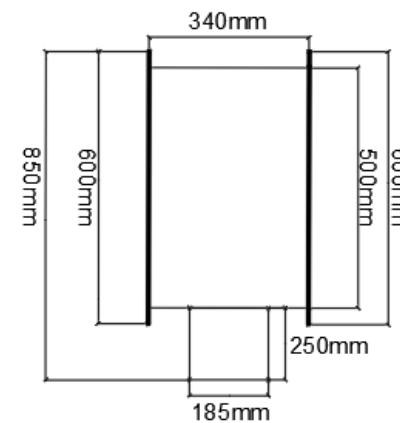
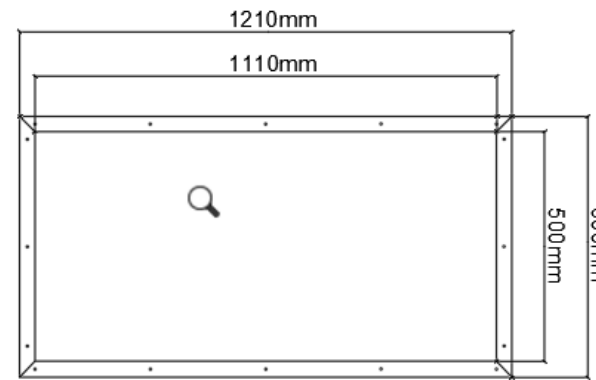


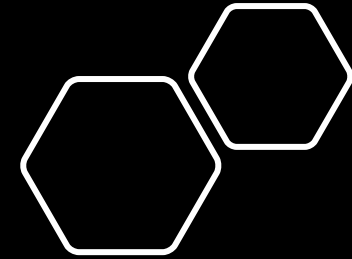
CE Certified



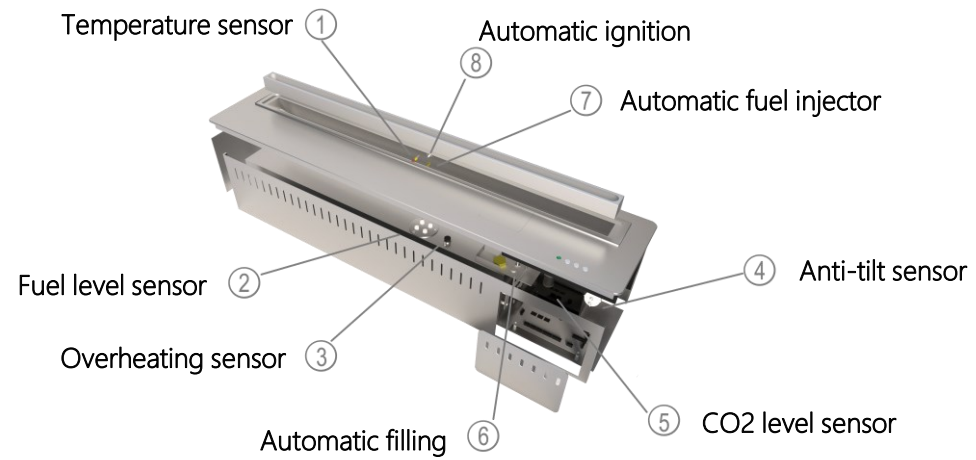
Technical Data: DS-36

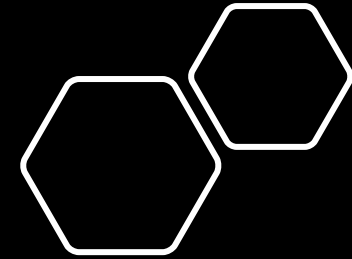
	Material	SS304 Stainless steel
	Flame Size	790mm L
	Unit Dimension	1110*850*340mm
	Fuel Capacity	7.2 Liter
	Approx Burn Time	7.2-12 Hours
	Heat Out put Net	6513 W / 22221 BTU
	Minimum Room	70-80 m ²
	Weight (burner)	G:25 Kgs; N:15 Kgs
	Application	For indoor use only
	Voltage	110-240V





SAFETY INFORMATION 5×3





REMOTE CONTROL AND MANAGEMENT



Smart Home



Google Home



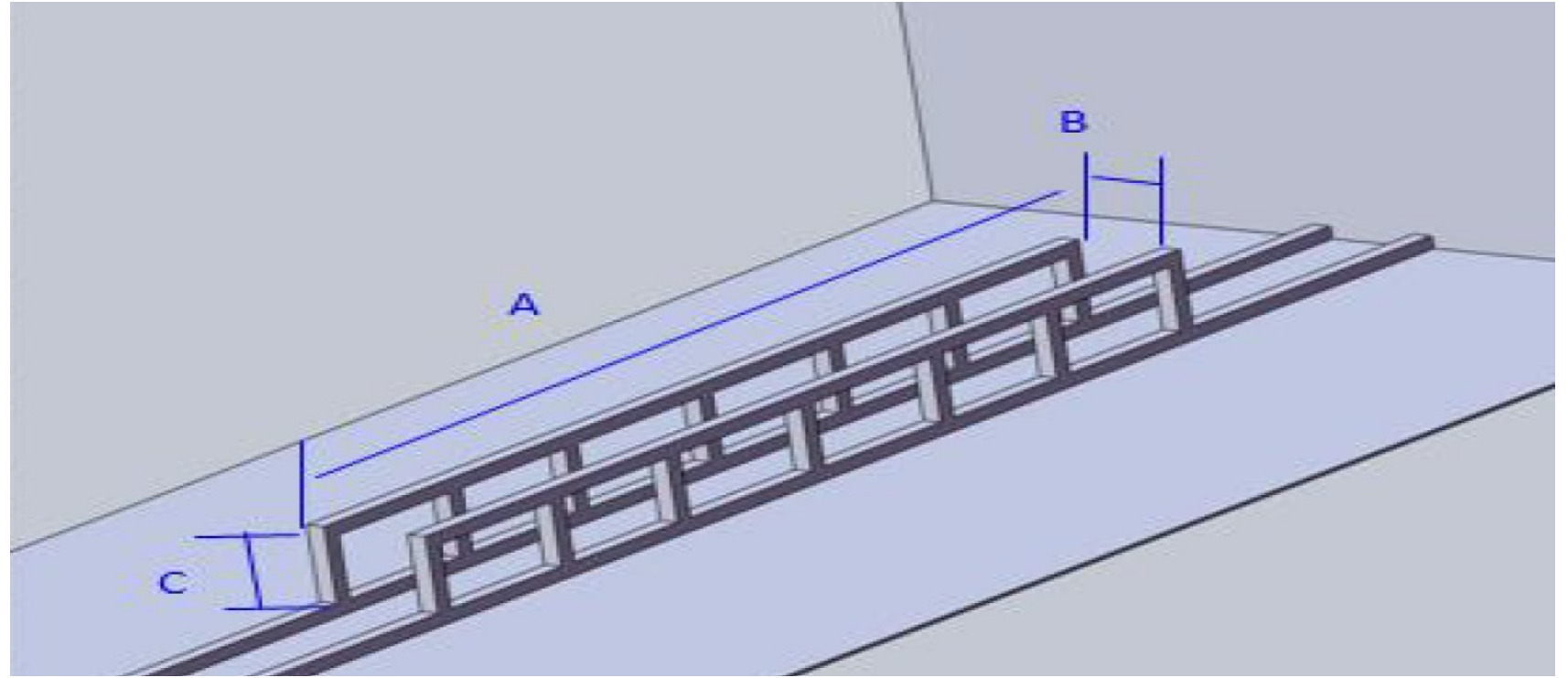
Amazon Echo Dot



Child lock

SMART HOME	RS-485	RS-232	DRY CONTACT
Z-WAVE	X		
CRESTON	X		
ZIGBEE	X		
BRITICINO	X		
M-BUS	X	X	
CONTROL-4		X	
RTI		X	X
MODBUS		X	
VIMAR BY-BY		X	
KNX			X
FABARO			X
LUTRON			X
TAPHOME			X

Installation



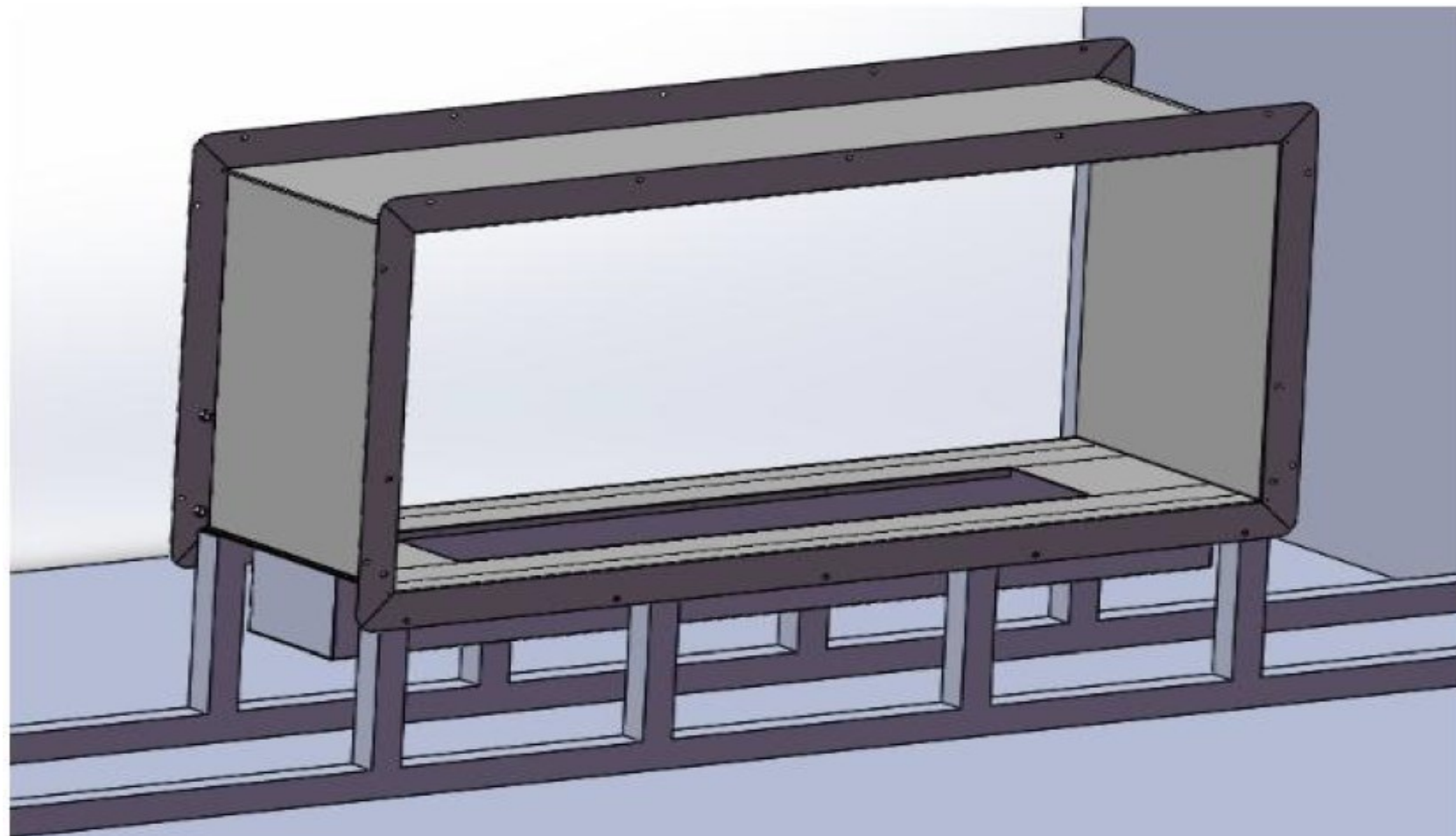
Non combustible materials must be used around the firebox! The Firebox cavity must be a lined with a minimum of 3/8" thick cement board.

A: 1110mm B: 200mm C: 255mm

Custom made fireboxes must be made of a non-combustible material such as stainless steel, stone, cement sheet.

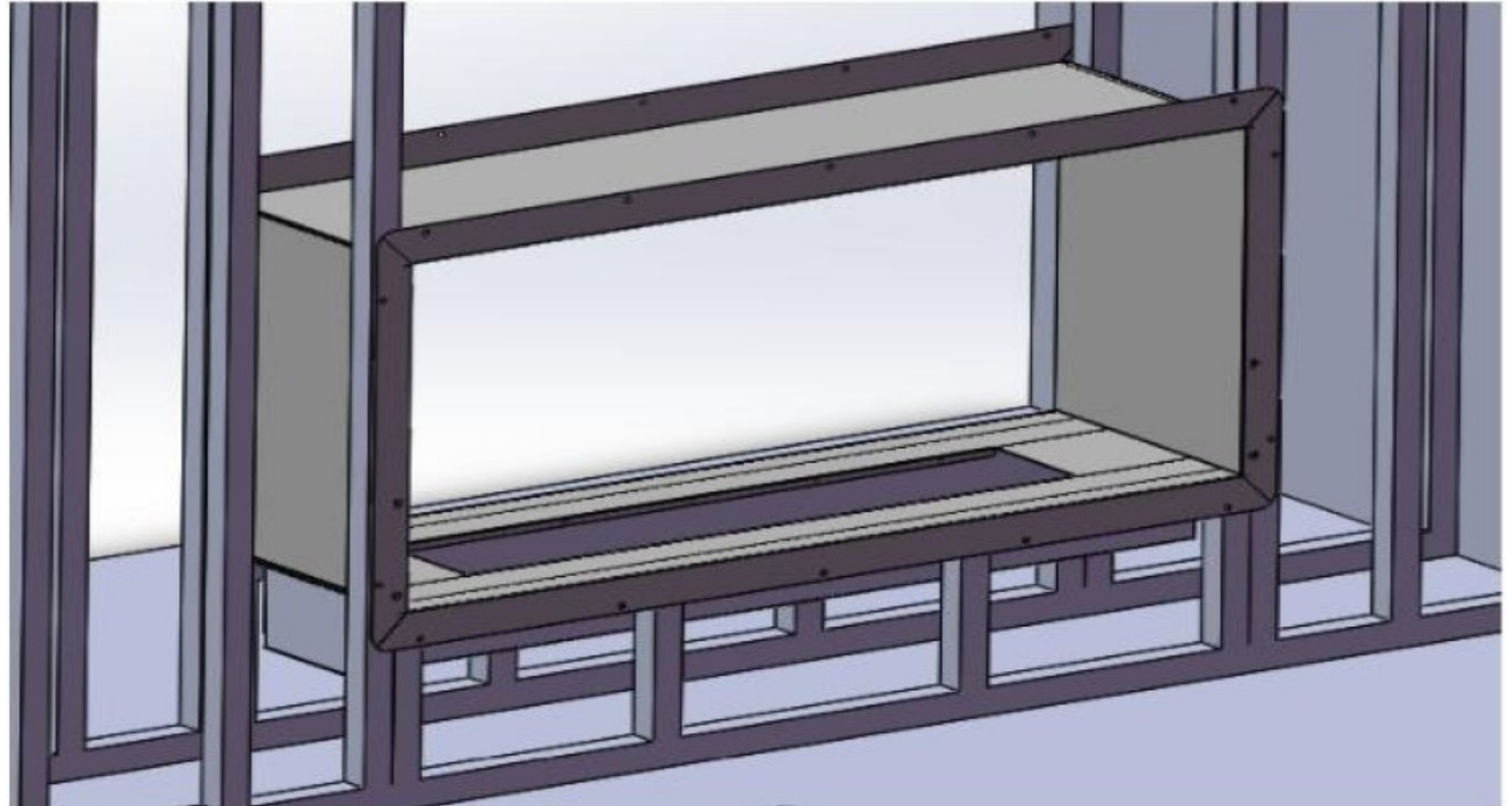
Please leave a plug (power) socket on the right side under/near the hole which the burner will fit in. Ensure the socket can be turned on/off from the outside wall, housing the fireplace.

- 1. Line the base with cement board and insert your Firebox into the base.*
- 2. Make sure the firebox is centered*

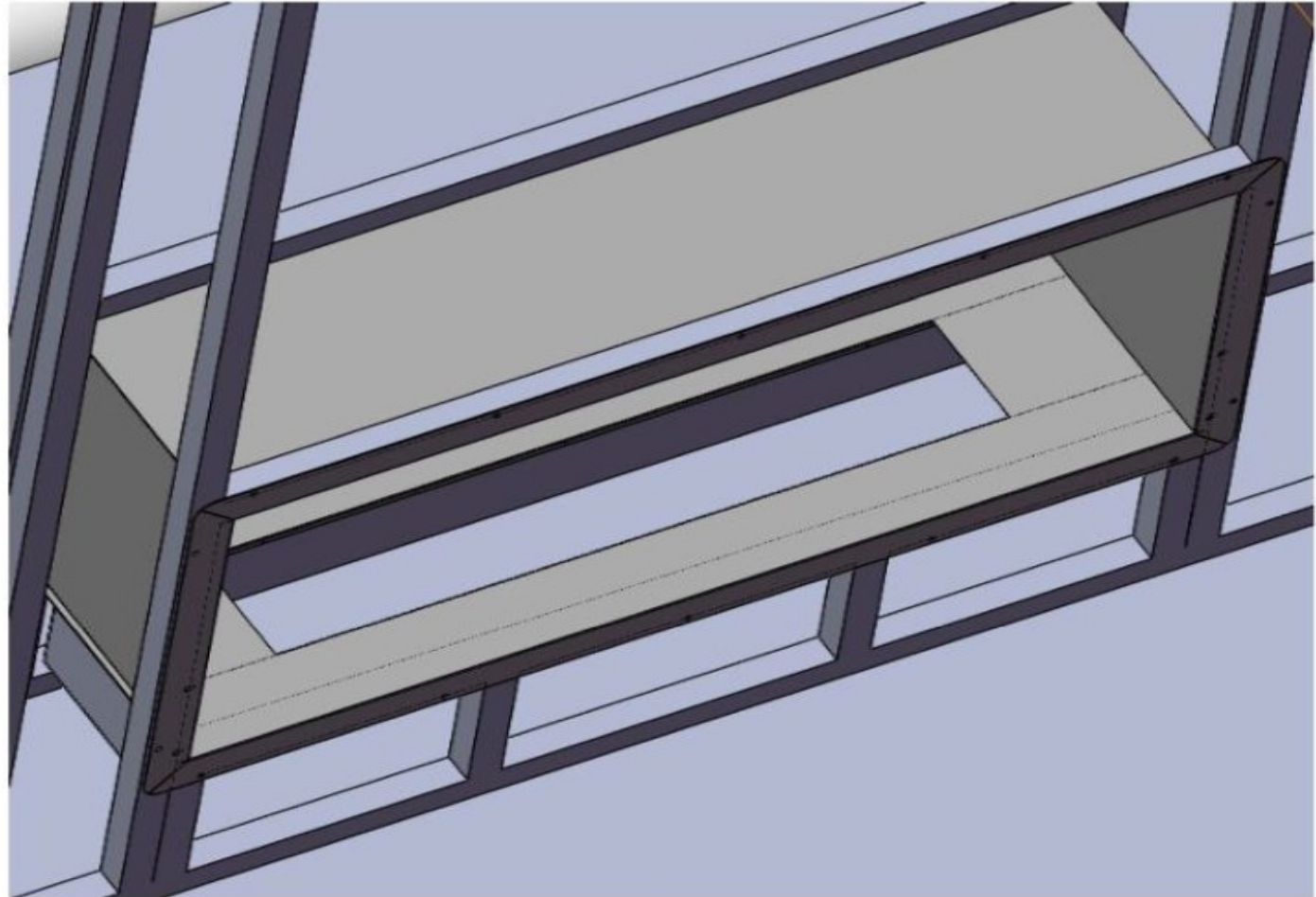


3. Continue building the wall, ensuring that there is a layer of cement board between the stud and your Firebox on all sides.

4. First stud on either side of the Firebox must be flush with the Firebox and flange

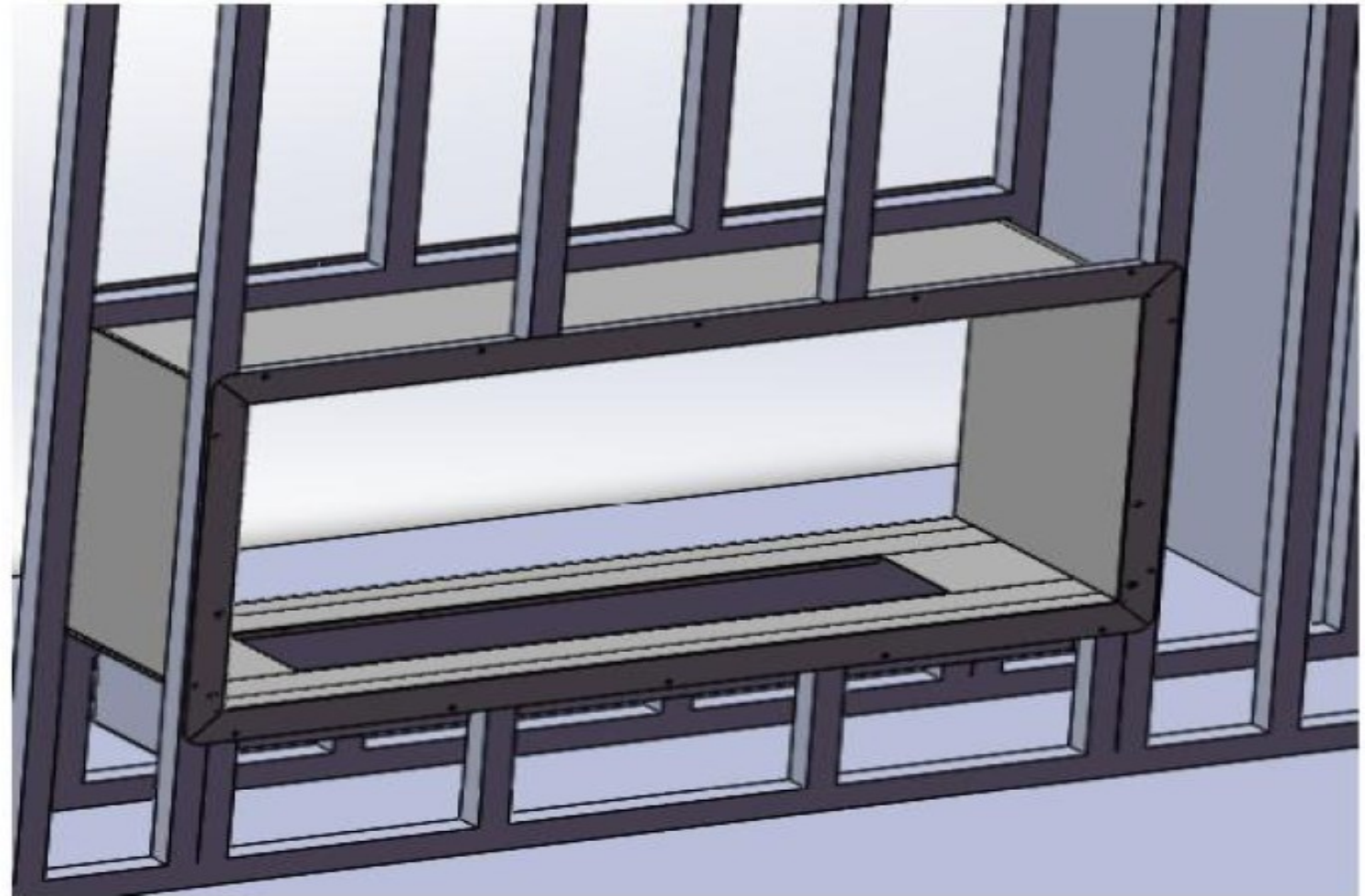


- 5. Install a stud horizontally on top of the firebox to be able to continue with the wall*
- 6. Screw the top of horizontal stud directly to the Firebox brackets (use 127mm metal zips)*

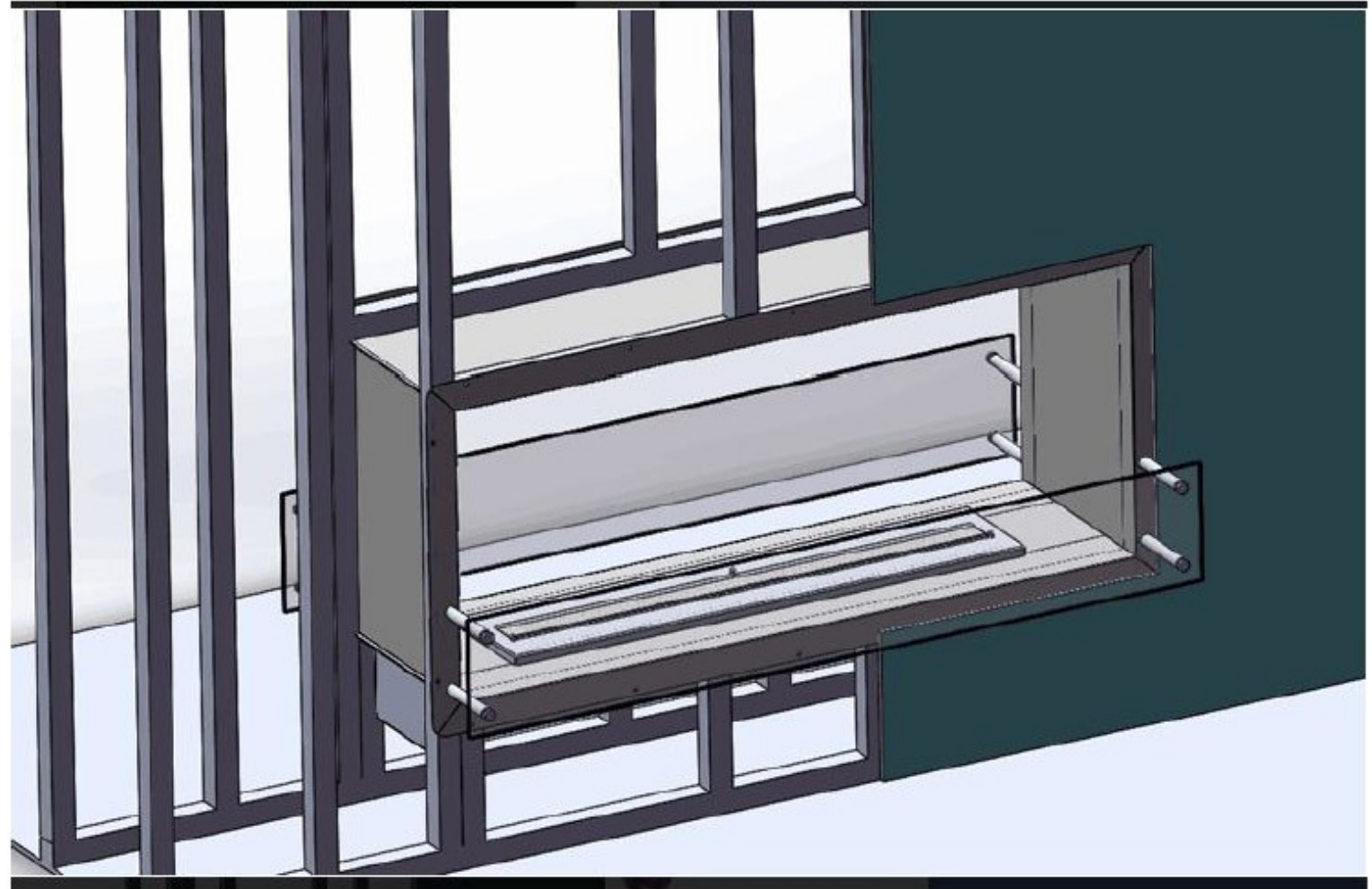


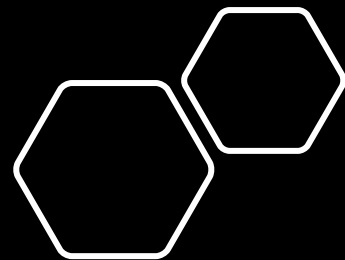
7. Continue building the wall

8. Support the firebox with screws around the flange into the stud



9. Cover the firebox with sheetrock, wonderboard, stones ,etc
10. Mount the glass into firebox





DISAINKAMINAD



DISAINKAMINAD



+372 56880012



info@disainkaminad.ee



www.disainkaminad.ee



Vana-Tartu mnt 79a, Peetri, Rae vald, 75312 Harju maakond