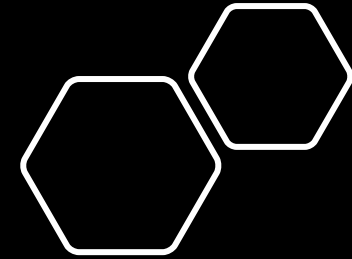


# Bioethanol fireplace DS



## AUTOMATIC

The automatic burner operates with 100% natural bioethanol and does not produce smoke or carbon monoxide. The burner has an automatic filling and spraying system.



## REMOTE CONTROL AND BEST QUALITY

The burner has 8 safety technologies and can be controlled via remote, phone, or a 'Smart Home' system.



Custom Measure



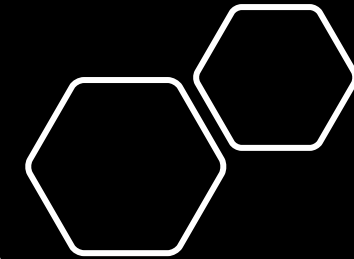
5+ Flame Setting



No Chimney

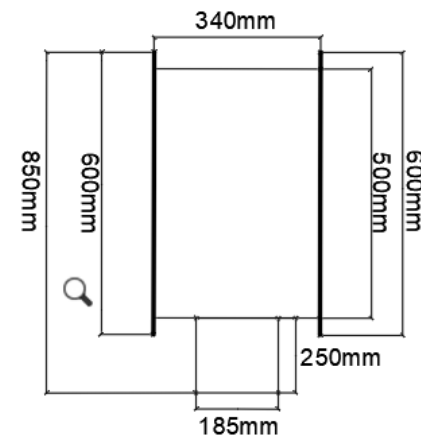
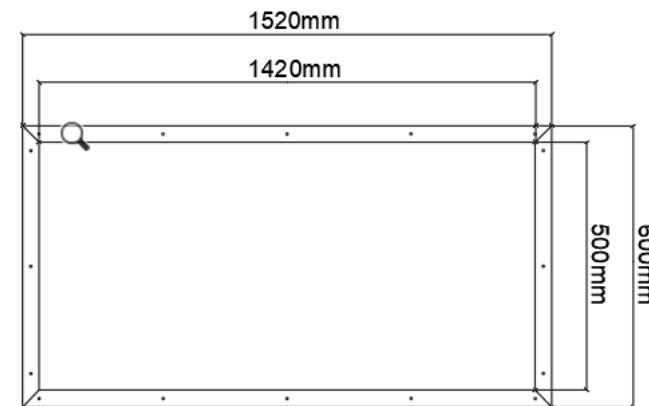


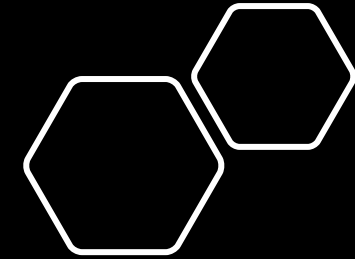
CE Certified



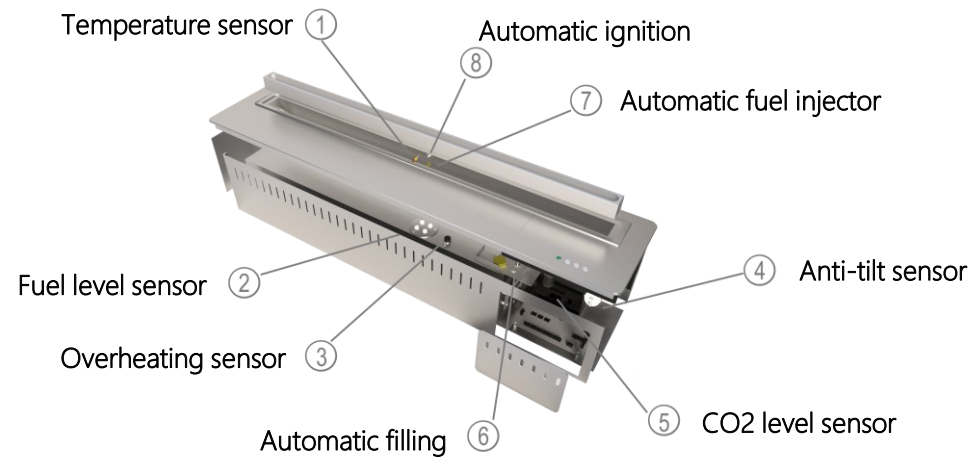
## Technical Data: DS-48

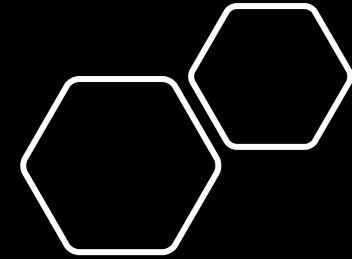
	Material	SS304 Stainless steel
	Flame Size	1102mm L
	Unit Dimension	1420*850*340mm
	Fuel Capacity	10.8 Liter
	Approx Burn Time	7.7-16.6 Hours
	Heat Out put Net	9136 W / 31170 BTU
	Minimum Room	90-110 m <sup>2</sup>
	Weight (burner)	G:28.5 Kgs; N:20.5 Kgs
	Application	For indoor use only
	Voltage	110-240V





## SAFETY INFORMATION 5×3





## REMOTE CONTROL AND MANAGEMENT



Smart Home



Google Home



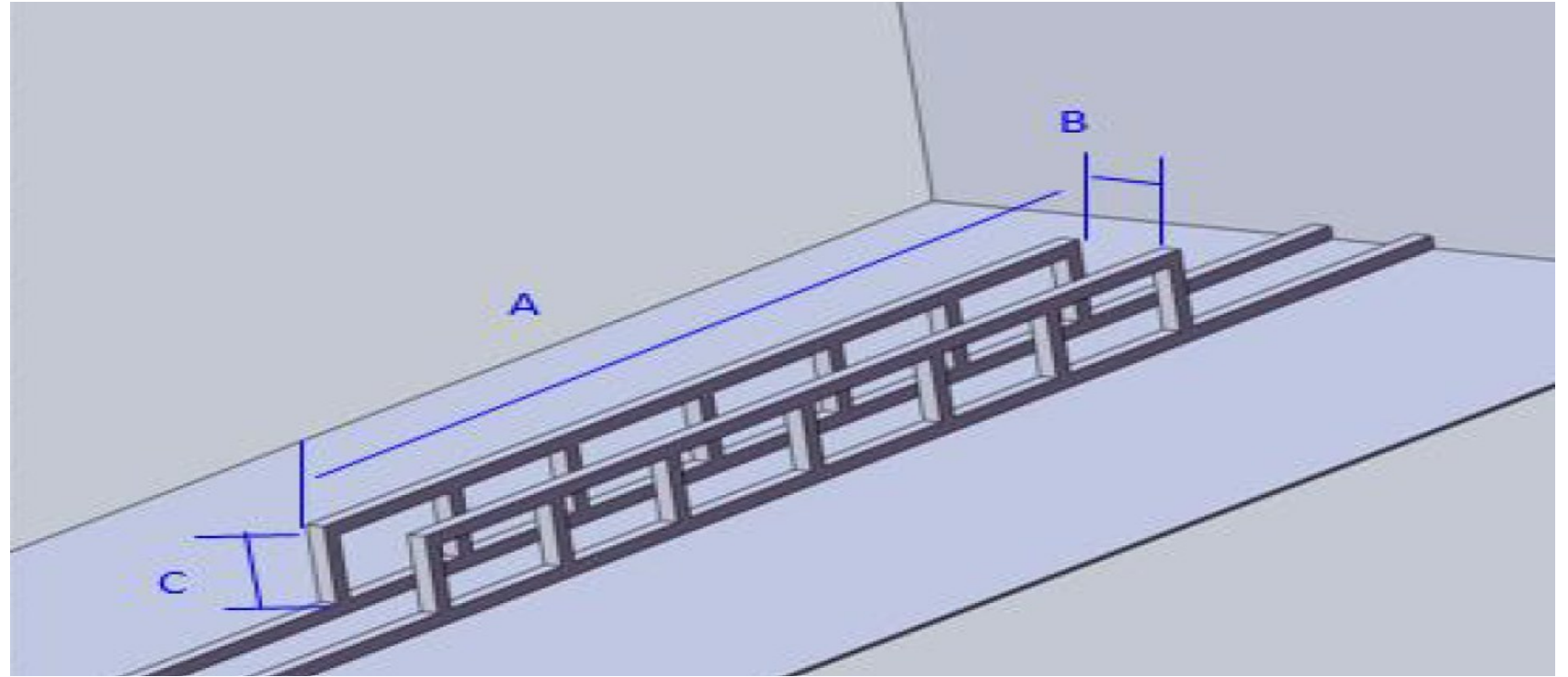
Amazon Echo Dot



Child lock

SMART HOME	RS-485	RS-232	DRY CONTACT
Z-WAVE	X		
CRESTON	X		
ZIGBEE	X		
BRITICINO	X		
M-BUS	X	X	
CONTROL-4		X	
RTI		X	X
MODBUS		X	
VIMAR BY-BY		X	
KNX			X
FABARO			X
LUTRON			X
TAPHOME			X

## Installation



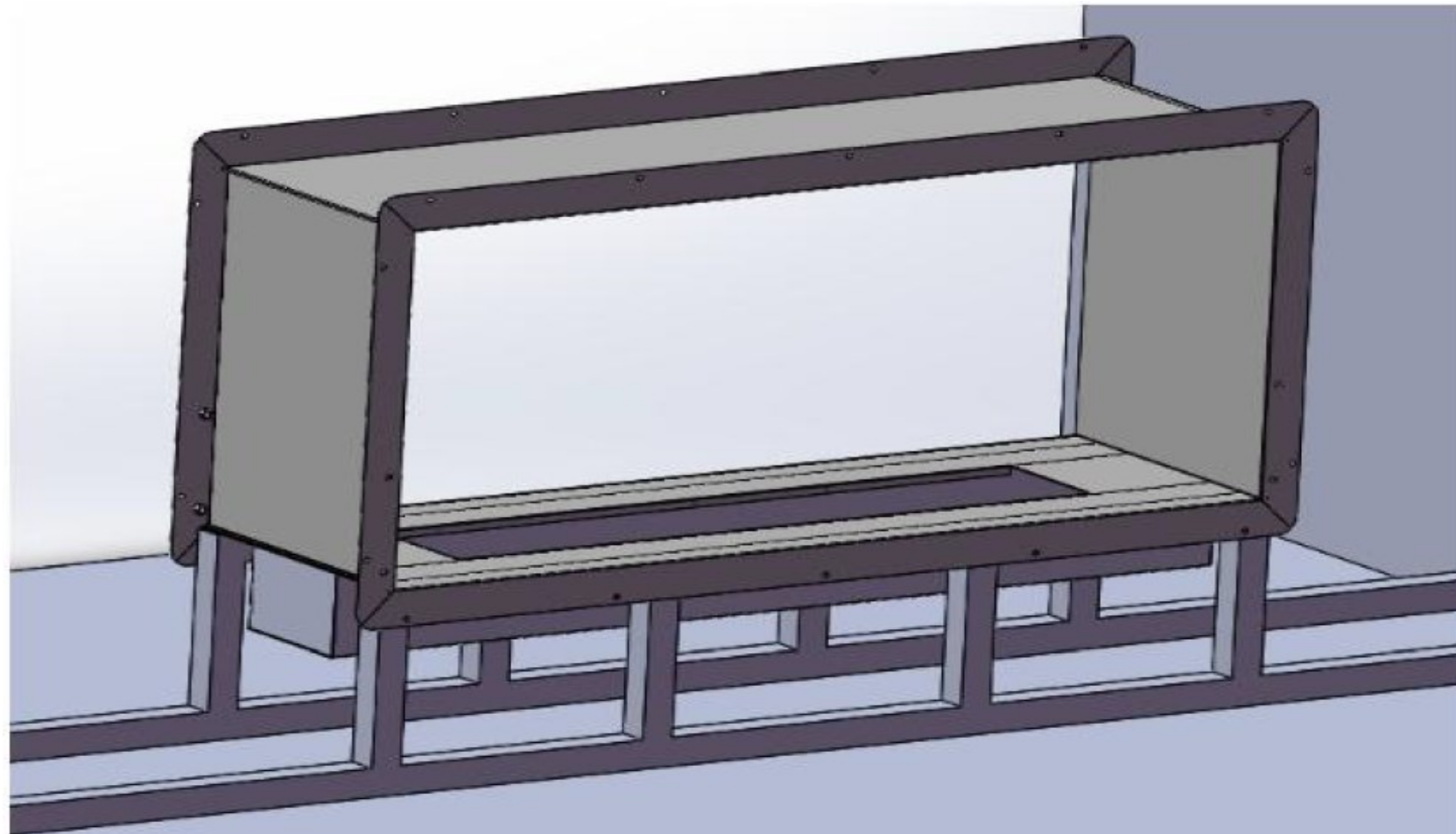
***Non combustible materials must be used around the firebox! The Firebox cavity must be a lined with a minimum of 3/8" thick cement board.***

***A: 1420mm B: 200mm C: 255mm***

***Custom made fireboxes must be made of a non-combustible material such as stainless steel, stone, cement sheet.***

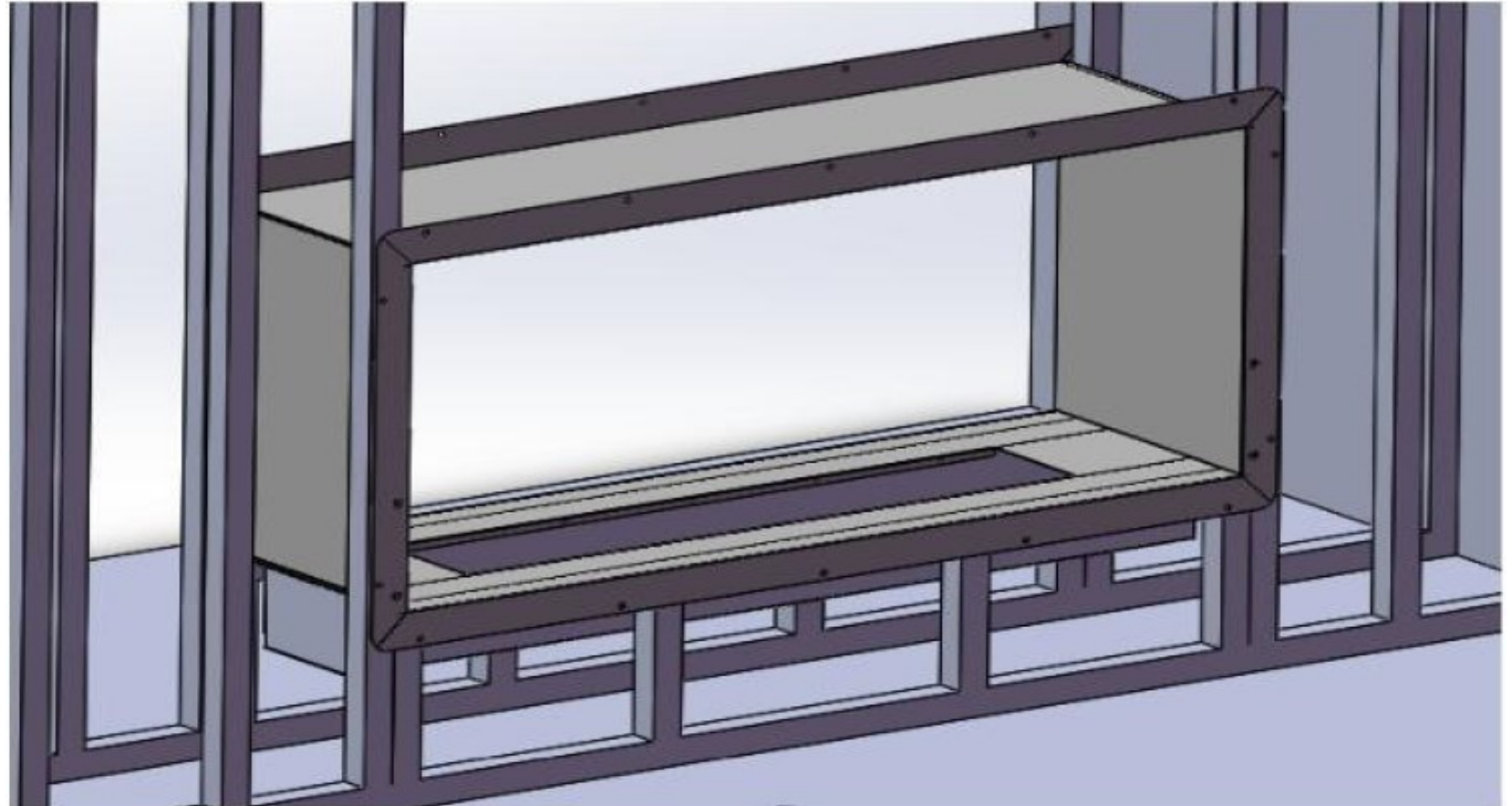
***Please leave a plug (power) socket on the right side under/near the hole which the burner will fit in. Ensure the socket can be turned on/off from the outside wall, housing the fireplace.***

- 1. Line the base with cement board and insert your Firebox into the base.*
- 2. Make sure the firebox is centered*



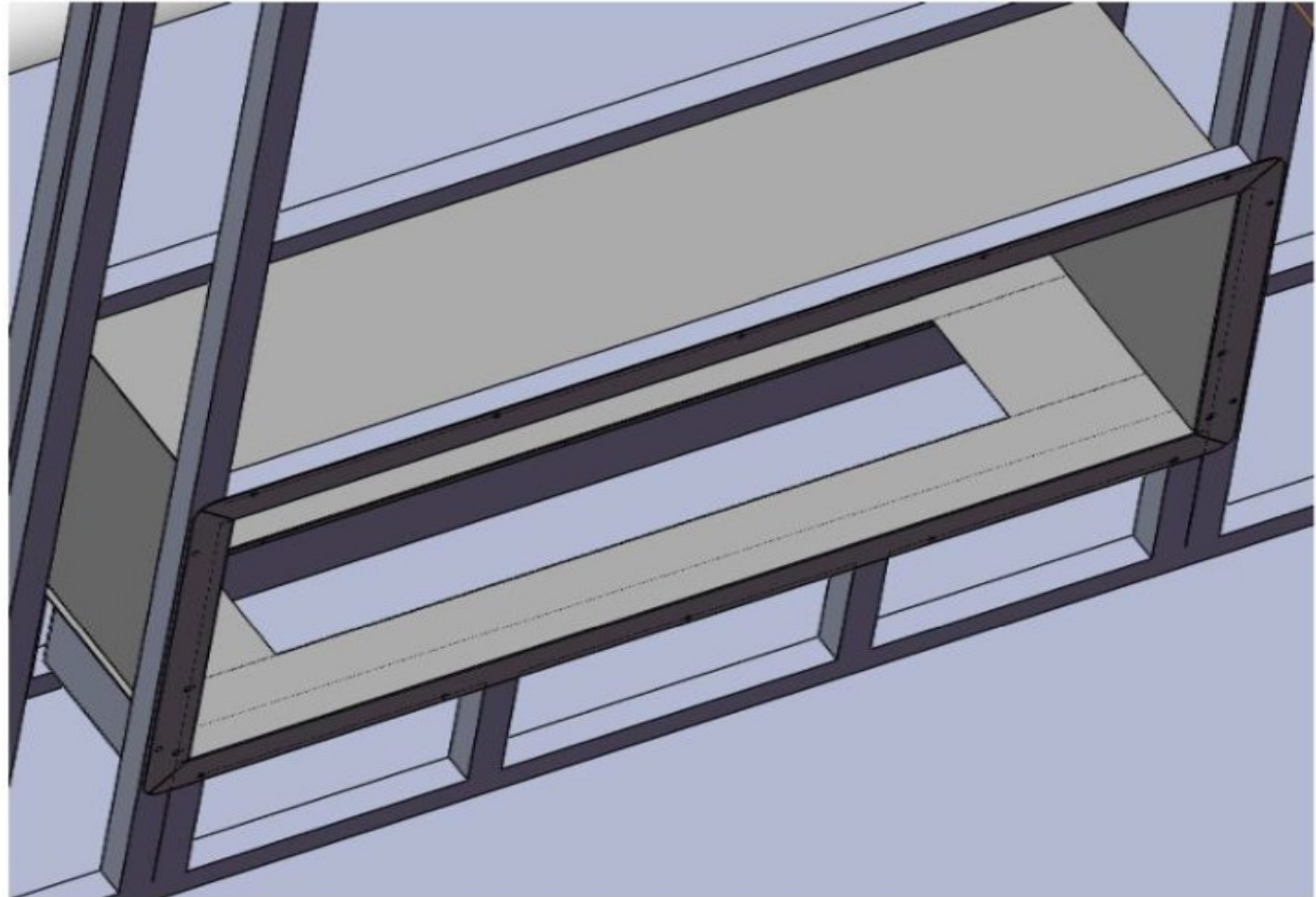
*3. Continue building the wall, ensuring that there is a layer of cement board between the stud and your Firebox on all sides.*

*4. First stud on either side of the Firebox must be flush with the Firebox and flange*



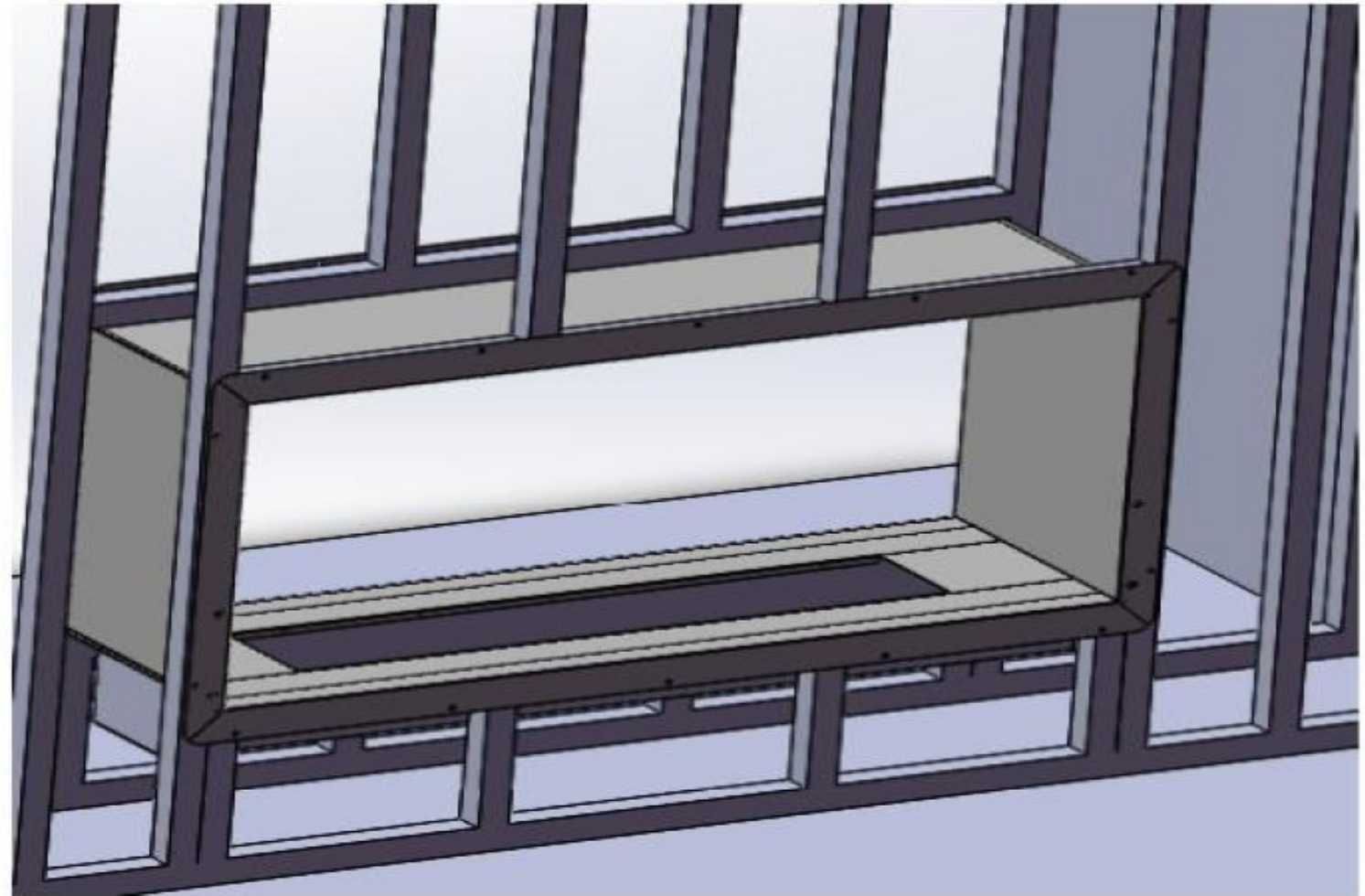


- 5. Install a stud horizontally on top of the firebox to be able to continue with the wall*
- 6. Screw the top of horizontal stud directly to the Firebox brackets (use 127mm metal zips)*

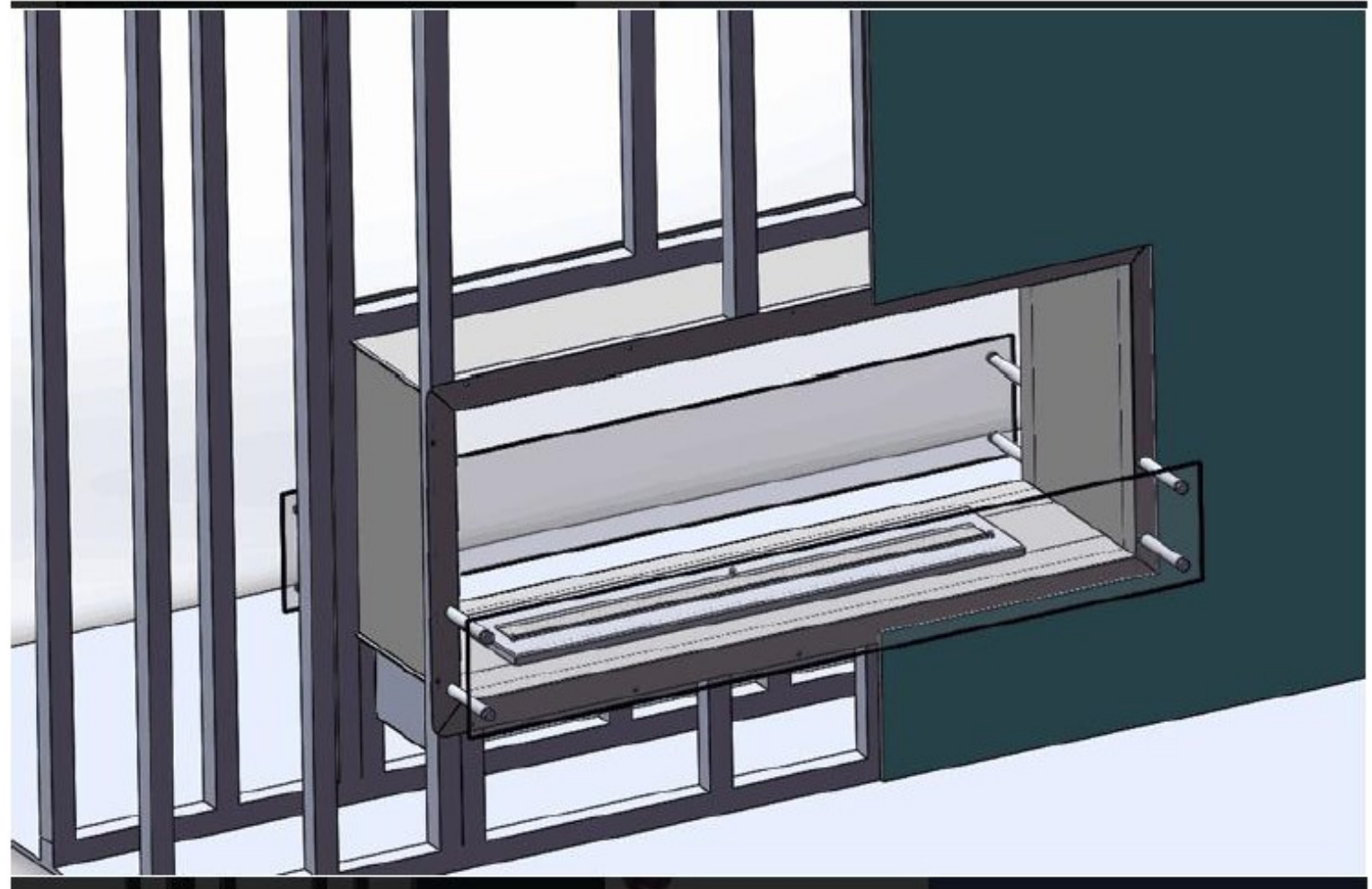


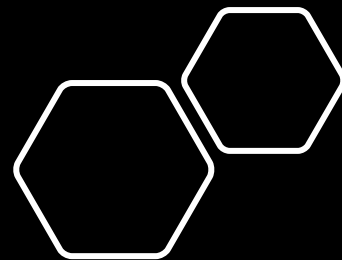
*7.Continue building the wall*

*8.Support the firebox with screws around the flange into the stud*



9. Cover the firebox with sheetrock, wonderboard, stones ,etc  
10. Mount the glass into firebox





**DISAINKAMINAD**



DISAINKAMINAD



+372 56880012



info@disainkaminad.ee



www.disainkaminad.ee



Vana-Tartu mnt 79a, Peetri, Rae vald, 75312 Harju maakond